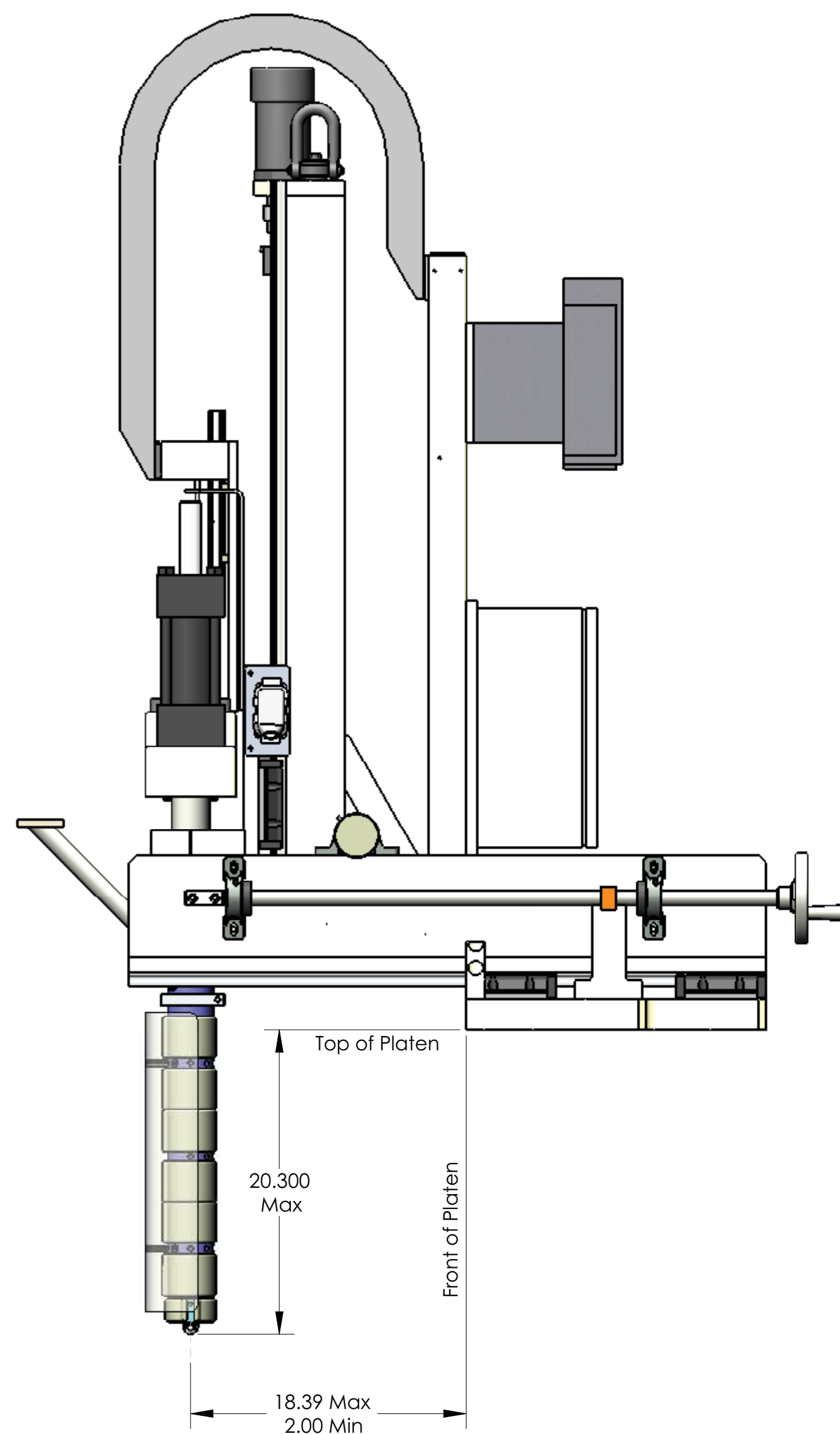
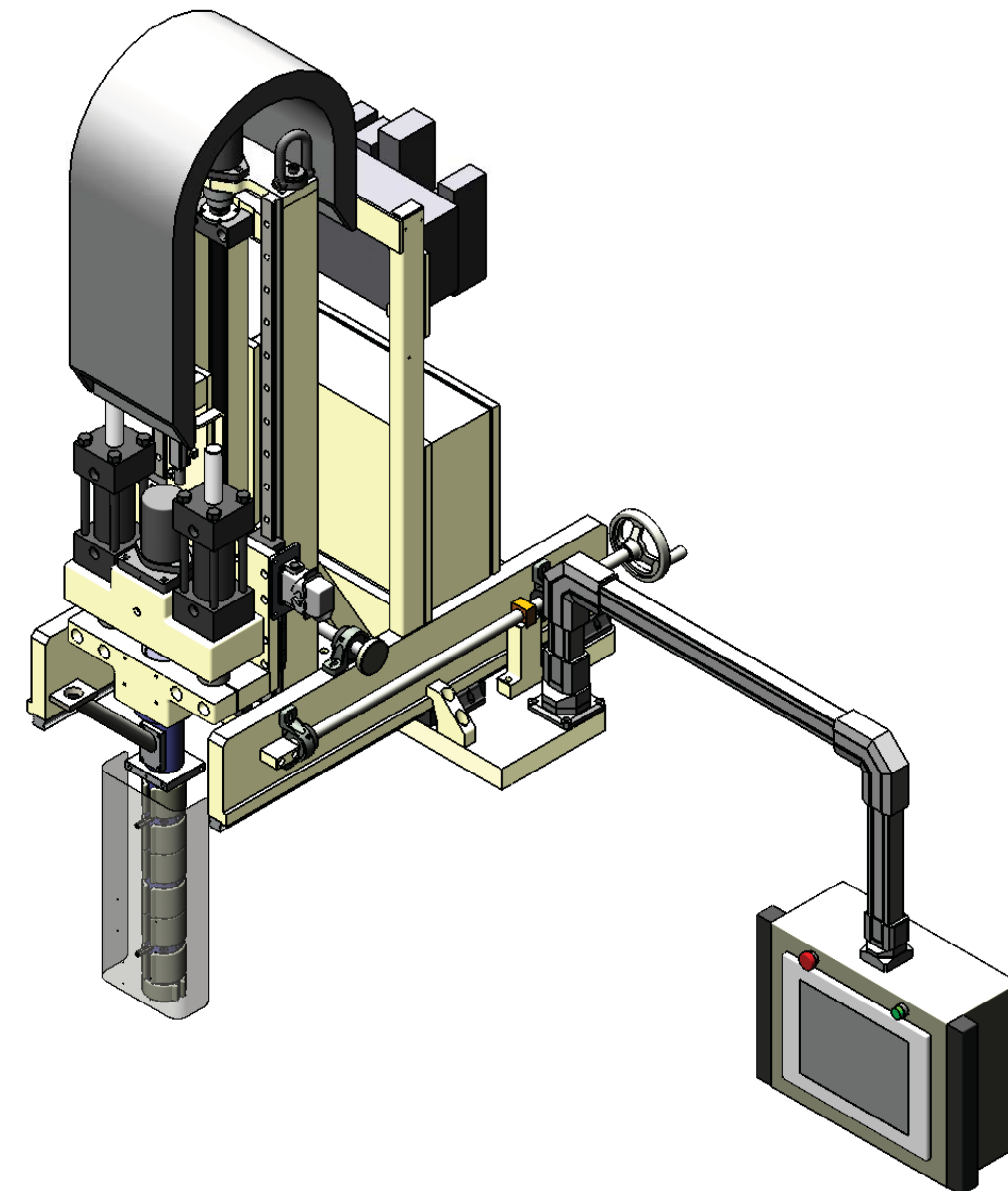
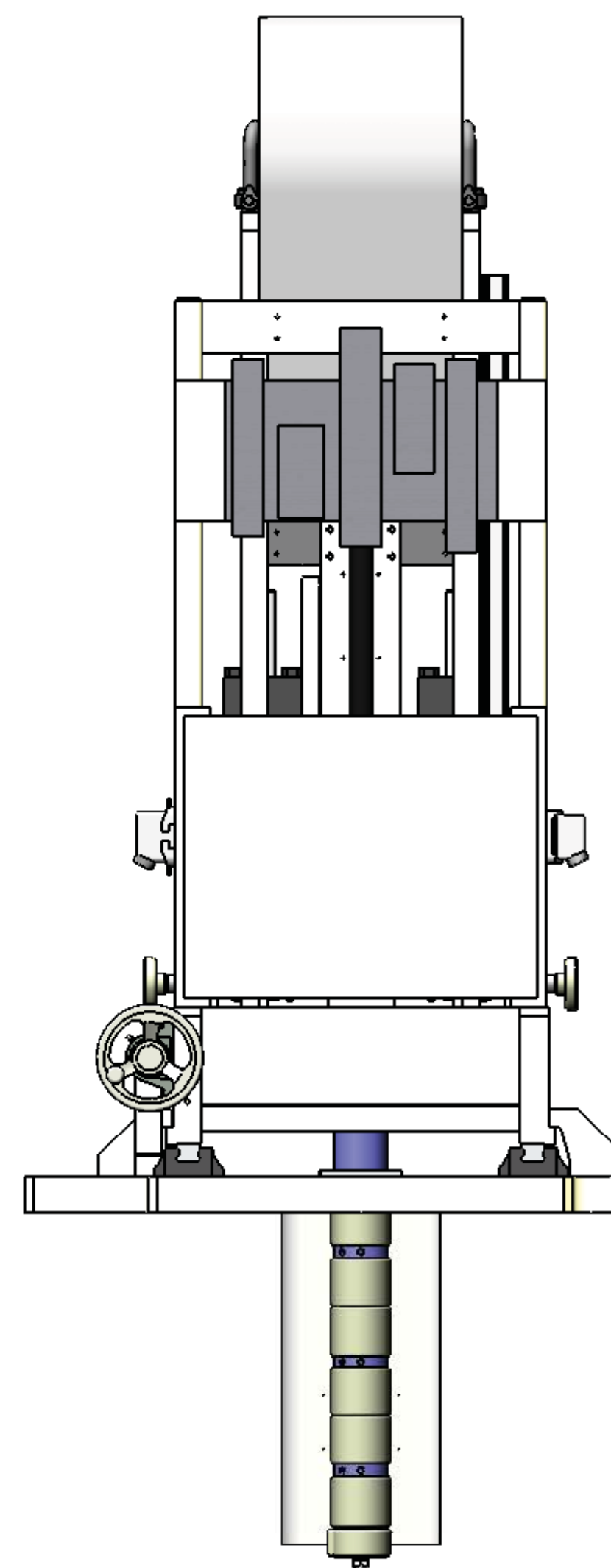


1.00 MAX  
Adjustment from Center

1.00 MAX  
Adjustment from Center



Fully Extended



UMS Portable Injection Units U.S. Patent 6,994,810 B2

W188 N11707 Maple Road  
 Germantown, WI 53022 USA  
 Phone: (262) 255-5790  
 Fax: (262) 255-7206  
 E-Mail: [contact@mgstech.com](mailto:contact@mgstech.com)

[www.mgstech.com](http://www.mgstech.com)  
[www.multishot.com](http://www.multishot.com)