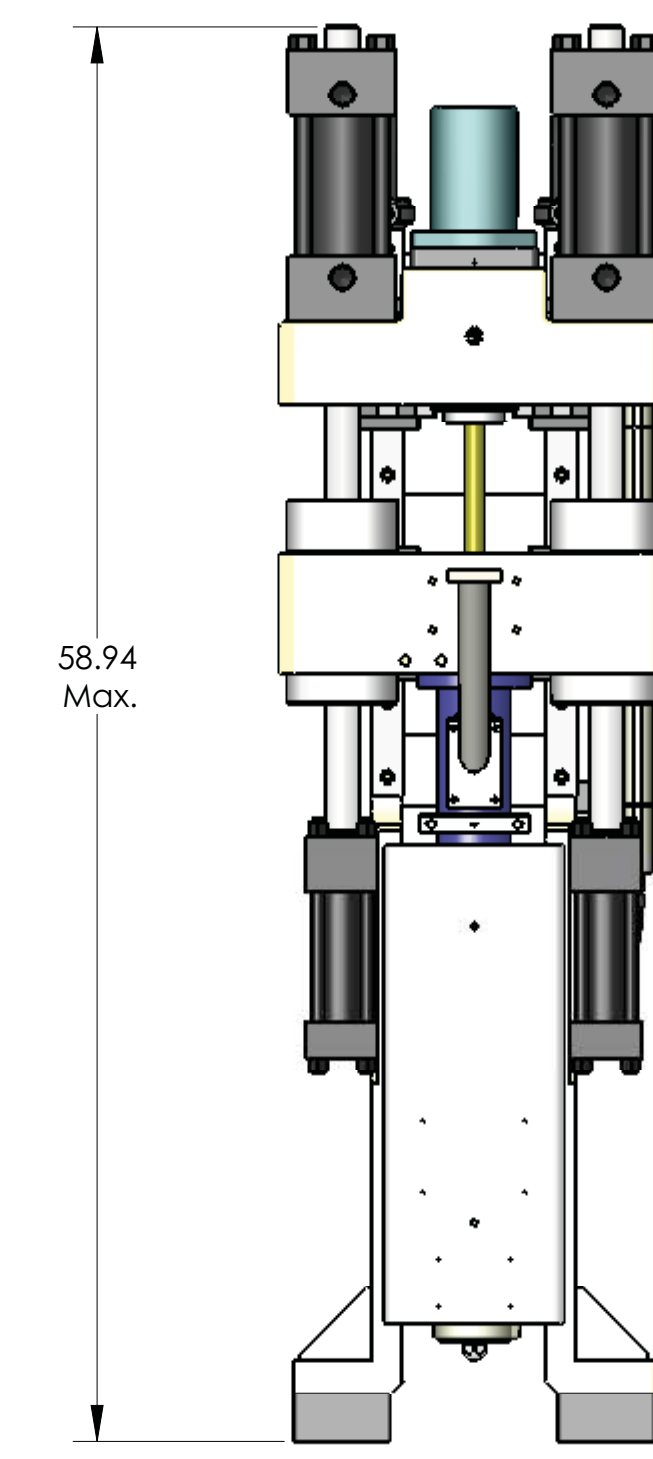
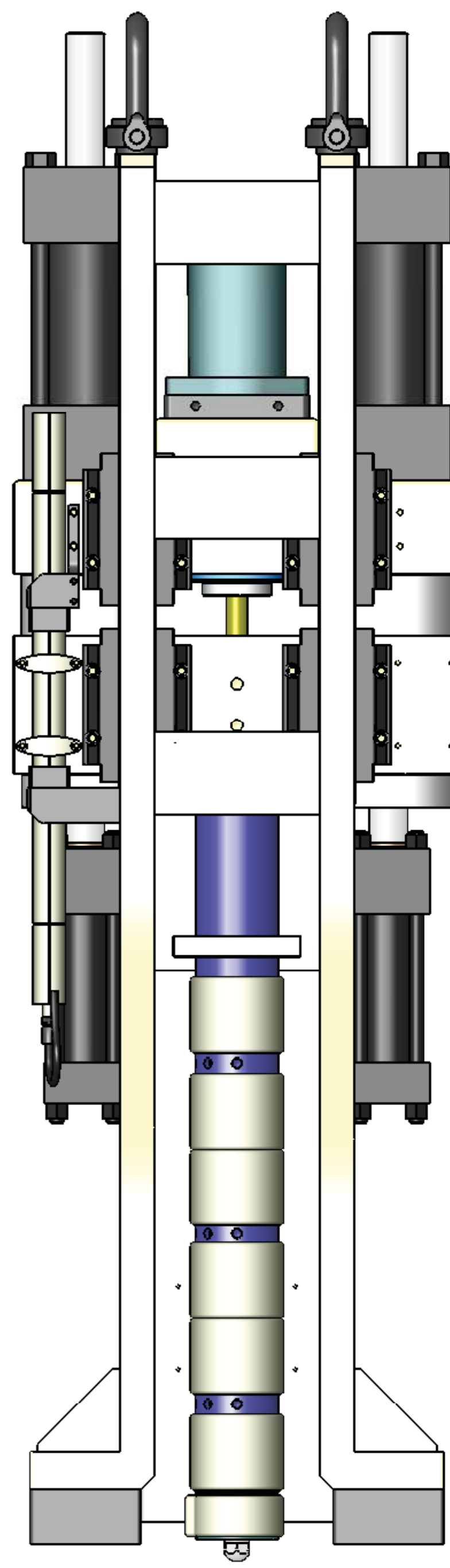
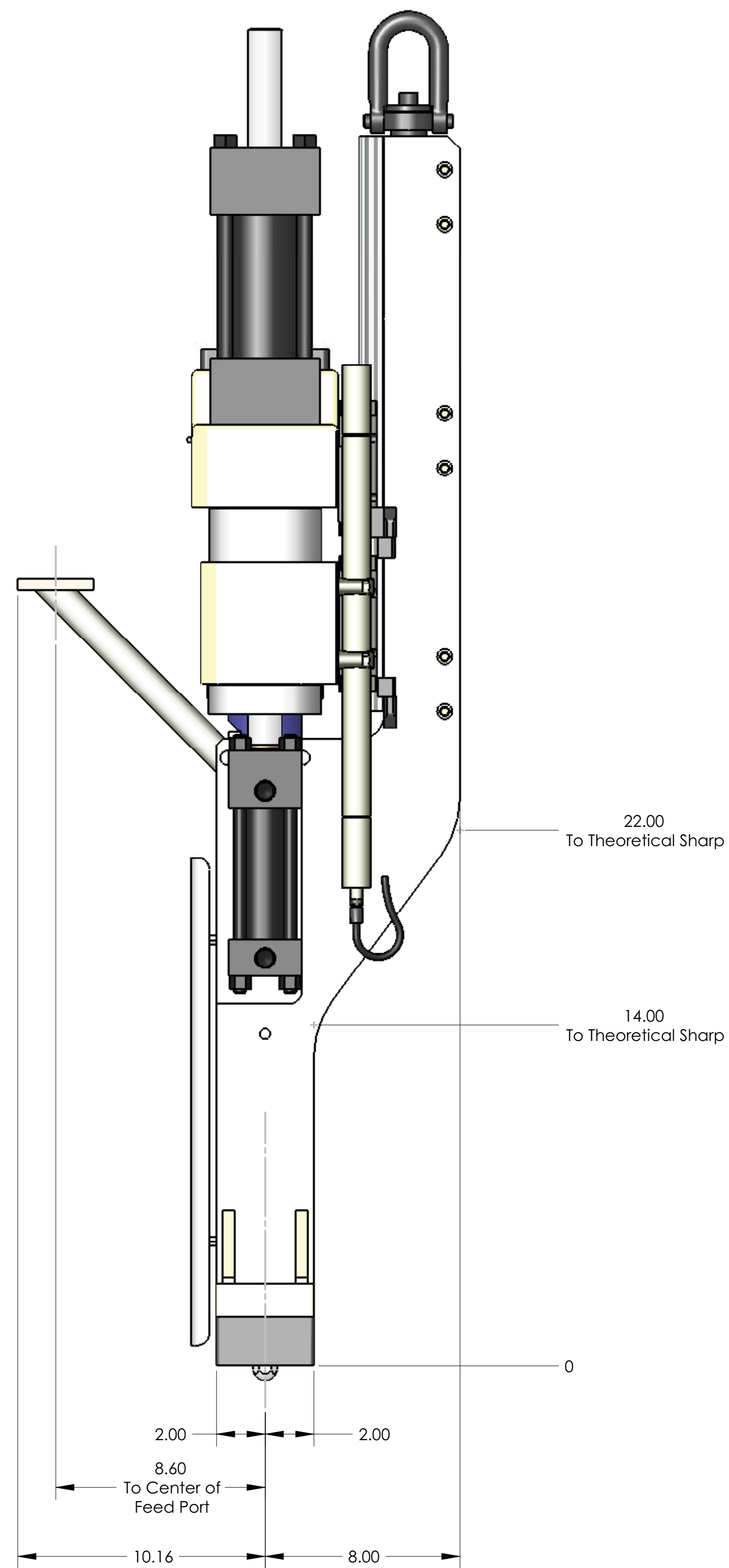
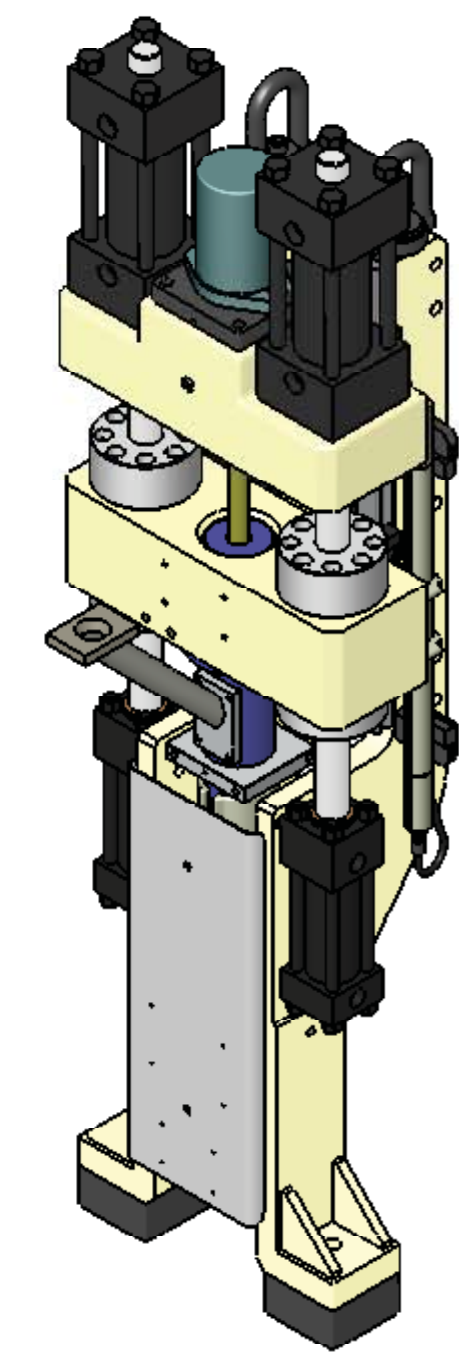


Fully Retracted



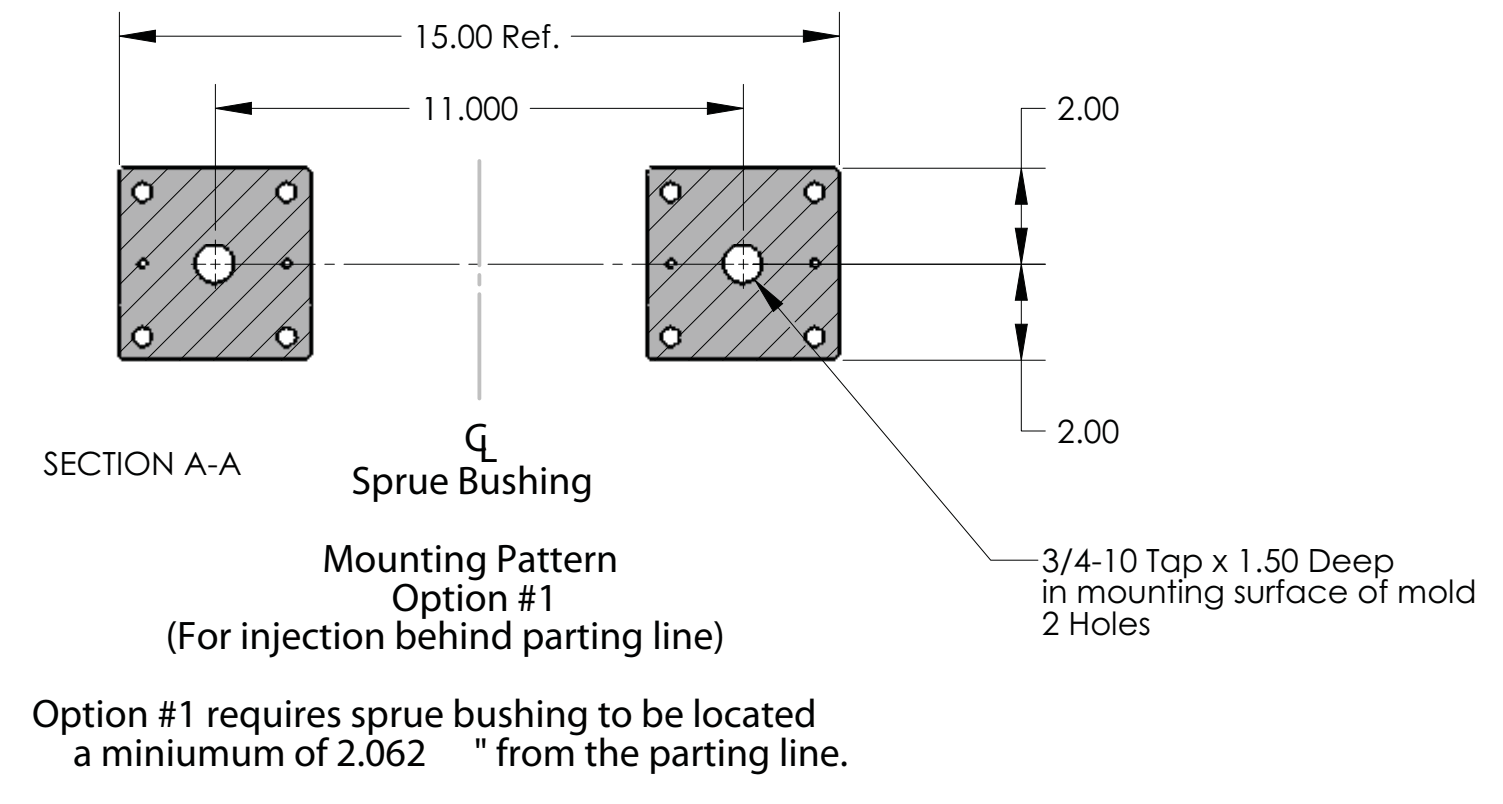
Fully Extended  
(Max. Height)



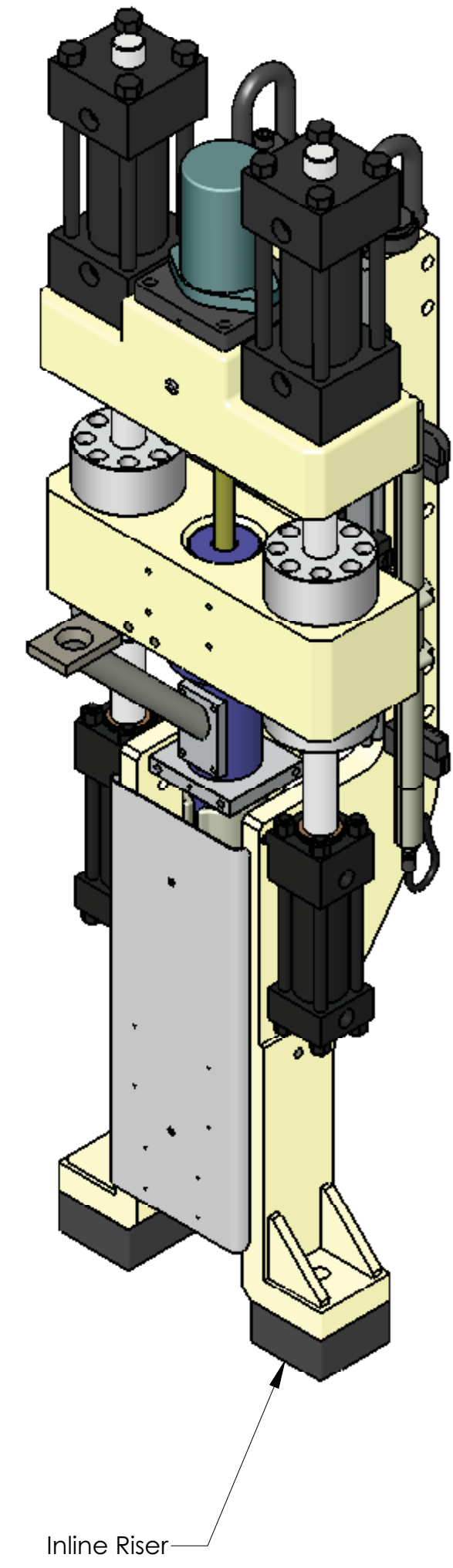
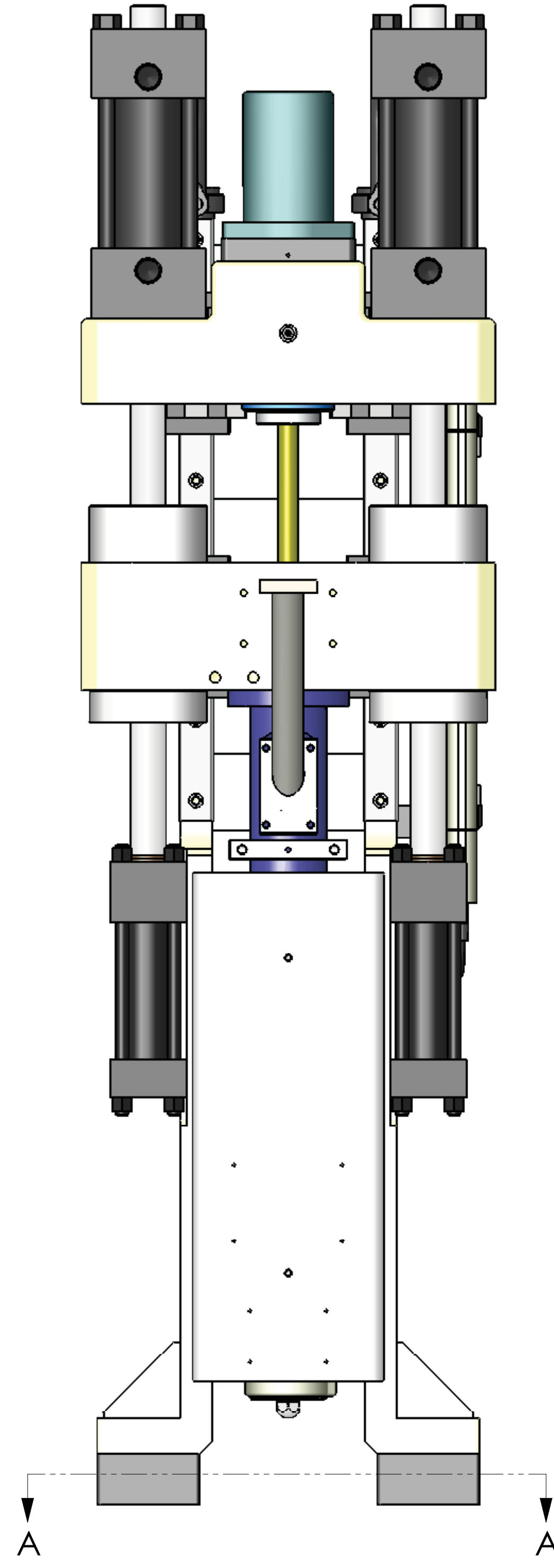
UMS Portable Injection Units U.S. Patent 6,994,810 B2

W188 N11707 Maple Road  
 Germantown, WI 53022 USA  
 Phone: (262) 255-5790  
 Fax: (262) 255-7206  
 E-Mail: contact@mgstech.com

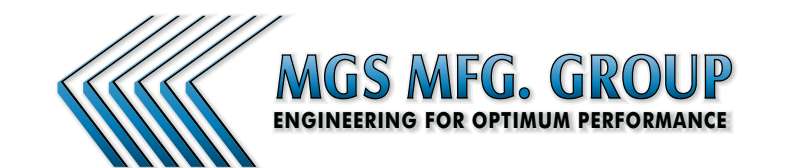
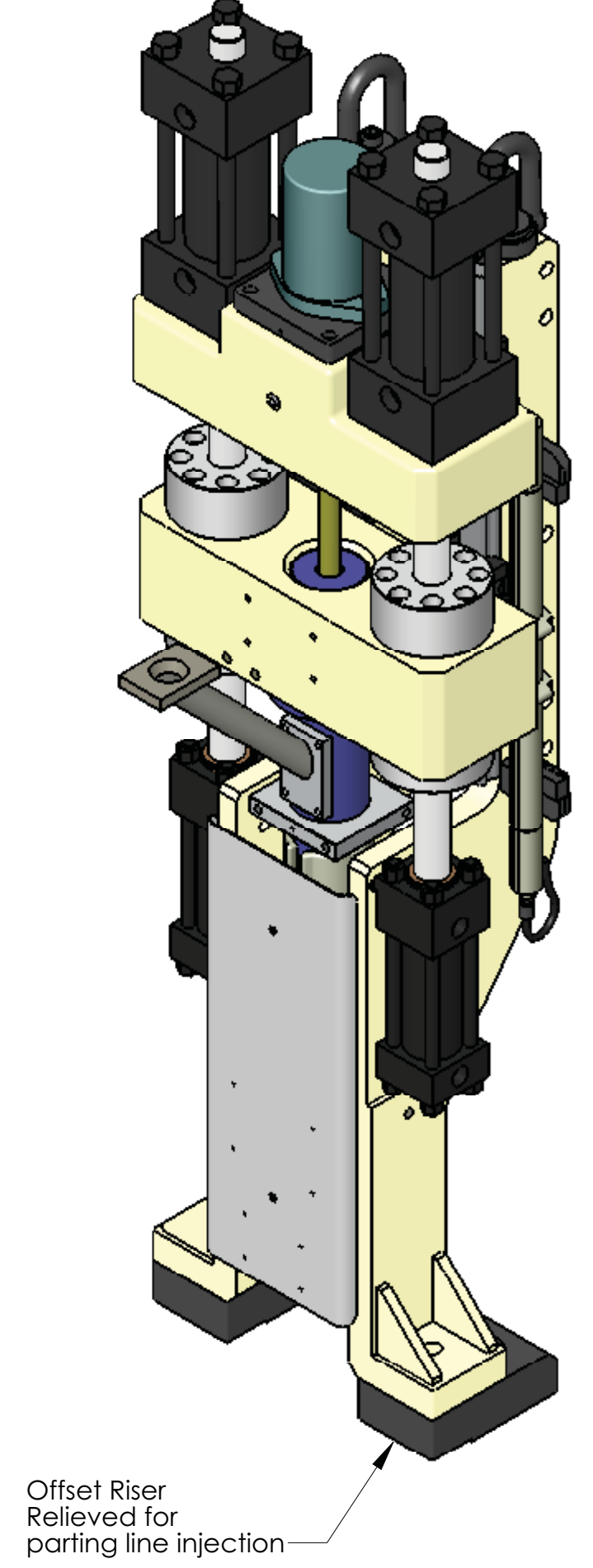
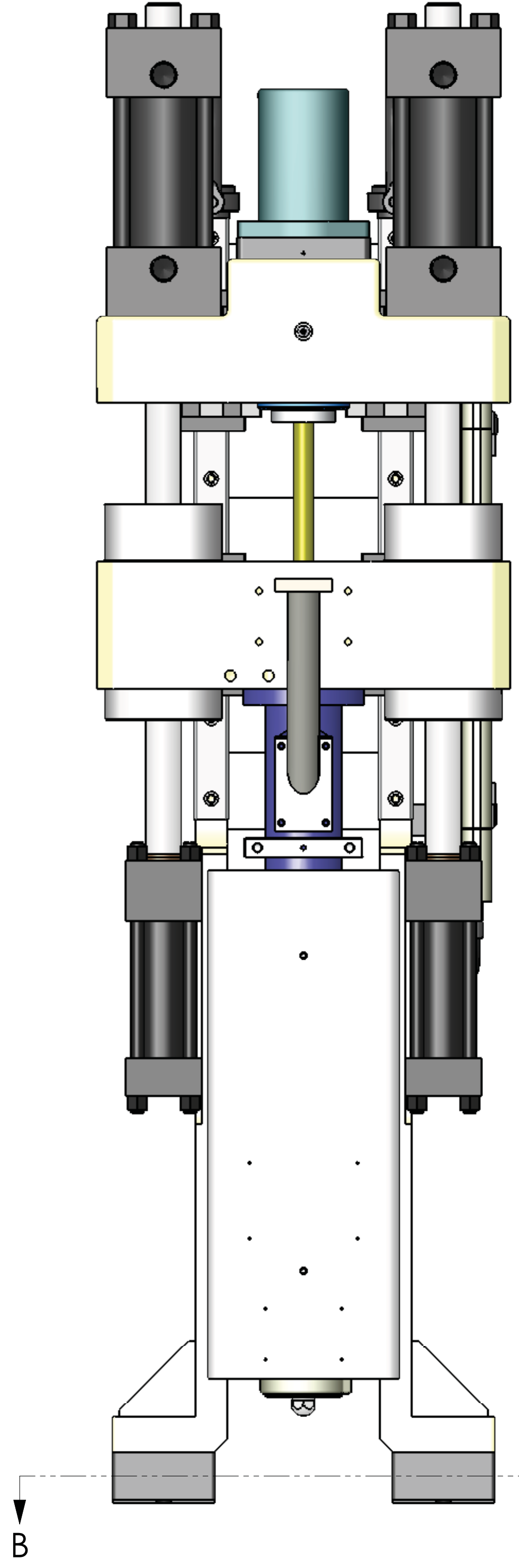
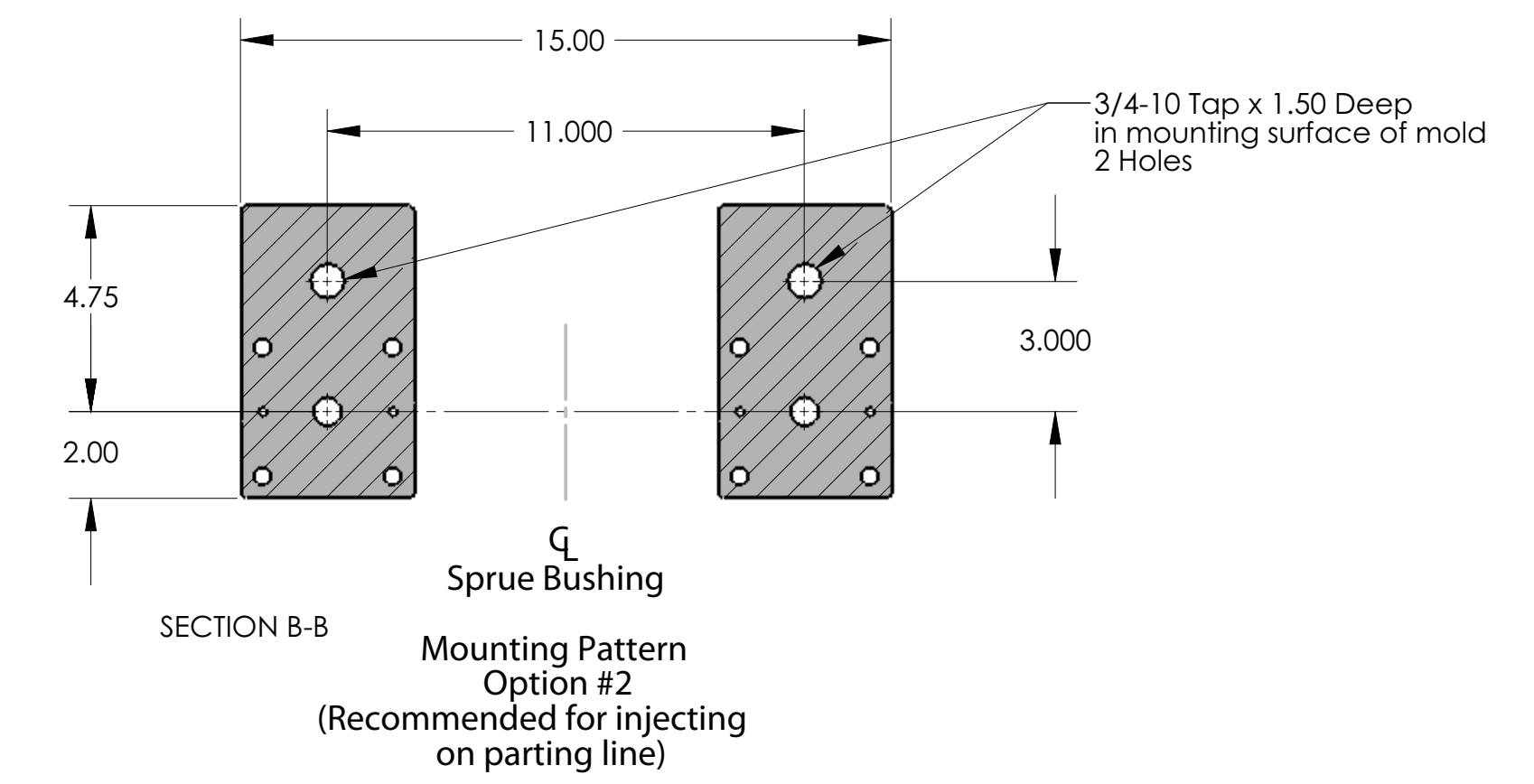
www.mgstech.com  
 www.multishot.com



### MOUNTING OPTION 1



### MOUNTING OPTION 2



UMS Portable Injection Units U.S. Patent 6,994,810 B2

W188 N11707 Maple Road  
 Germantown, WI 53022 USA  
 Phone: (262) 255-5790  
 Fax: (262) 255-7206  
 E-Mail: contact@mgstech.com

www.mgstech.com  
 www.multishot.com